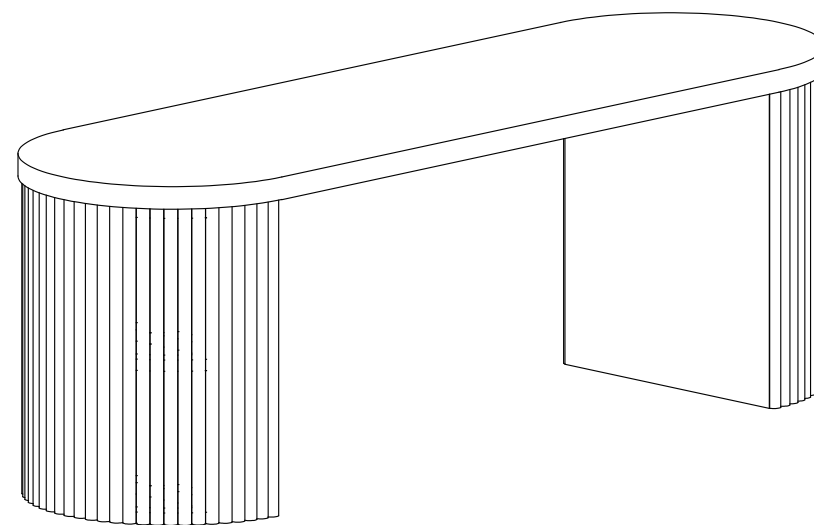
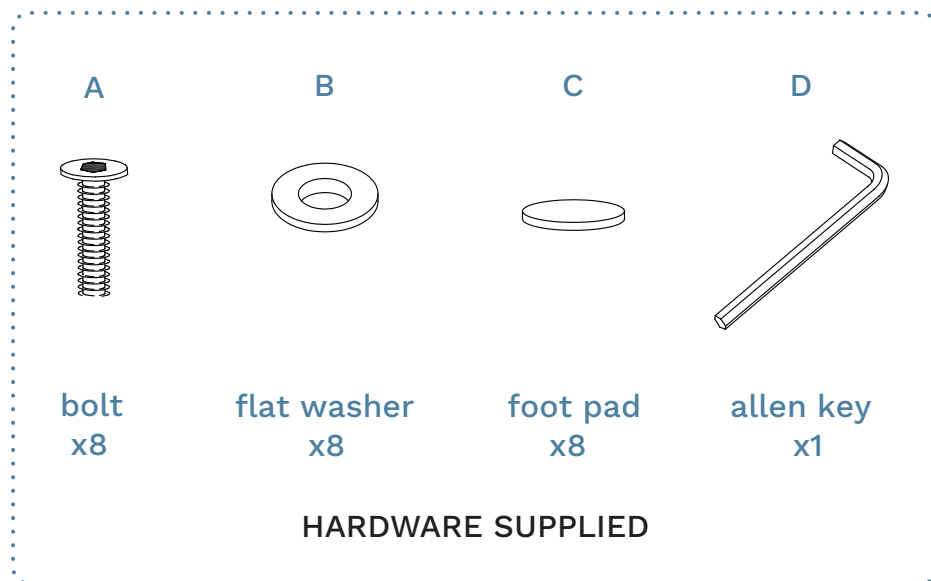


Eve Bench

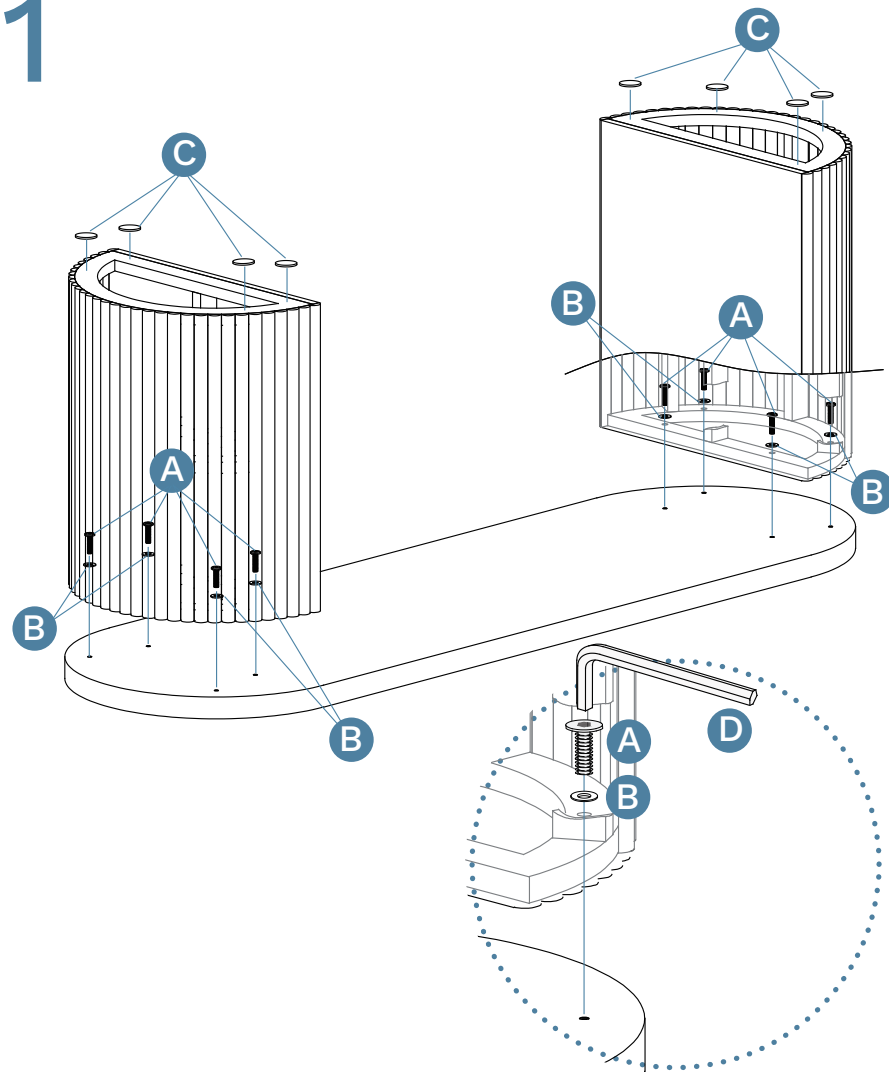
Thank you for your purchase.
Please follow the instructions below for correct assembly.



For quicker assembly, we recommend the use of a power drill on a low-speed setting.

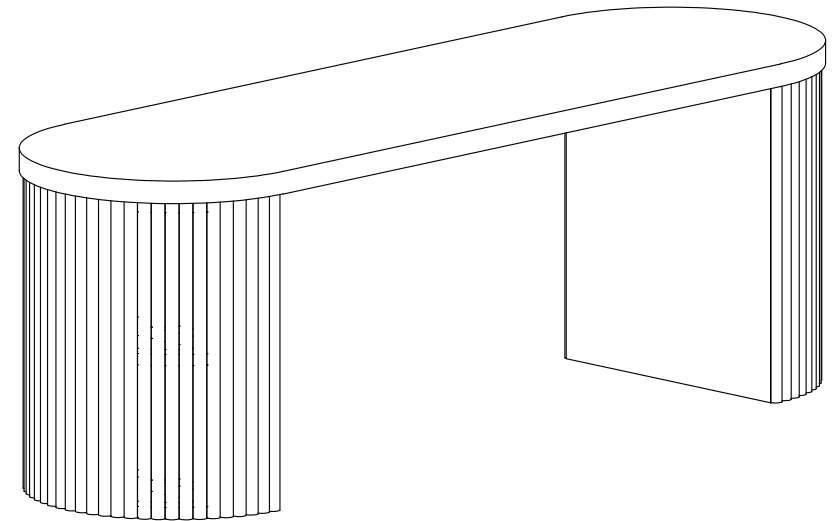
Eve Bench

1



Attach 2x bases to the top panel with 8x bolts (A) and 8x flat washer (B). Tighten all bolts with allen key (D). Attach 8x foot pads (C) to the bottom of the base.

2



You're done, enjoy!